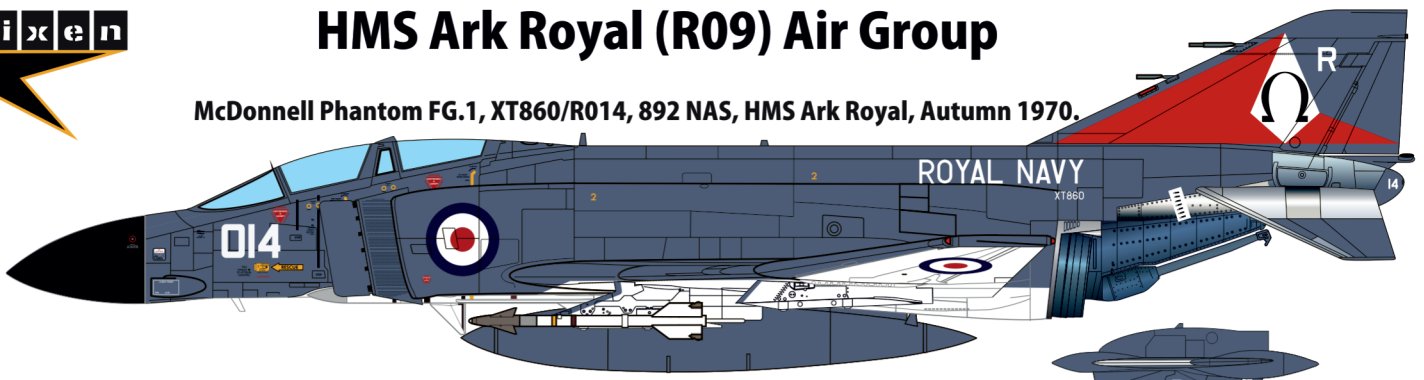




HMS Ark Royal (R09) Air Group

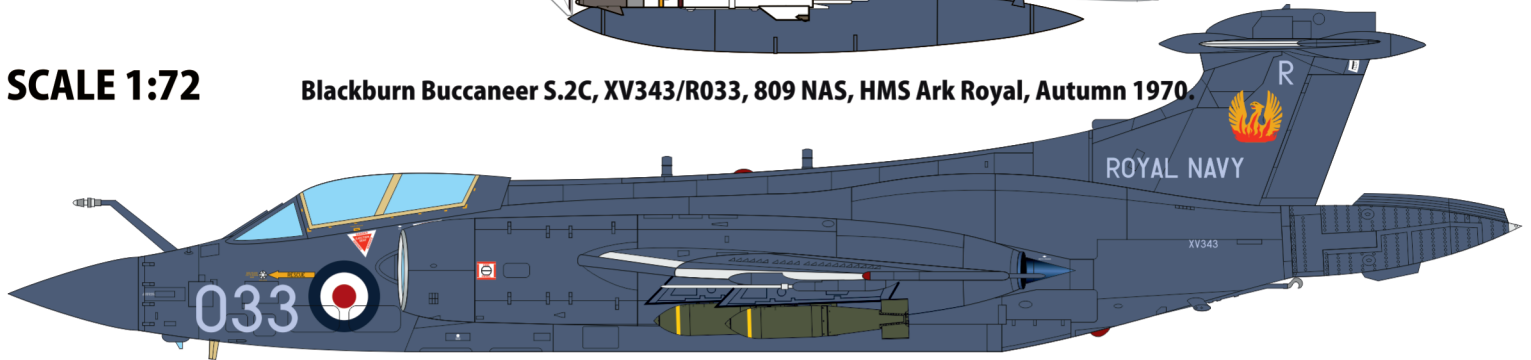
McDonnell Phantom FG.1, XT860/R014, 892 NAS, HMS Ark Royal, Autumn 1970.

#48



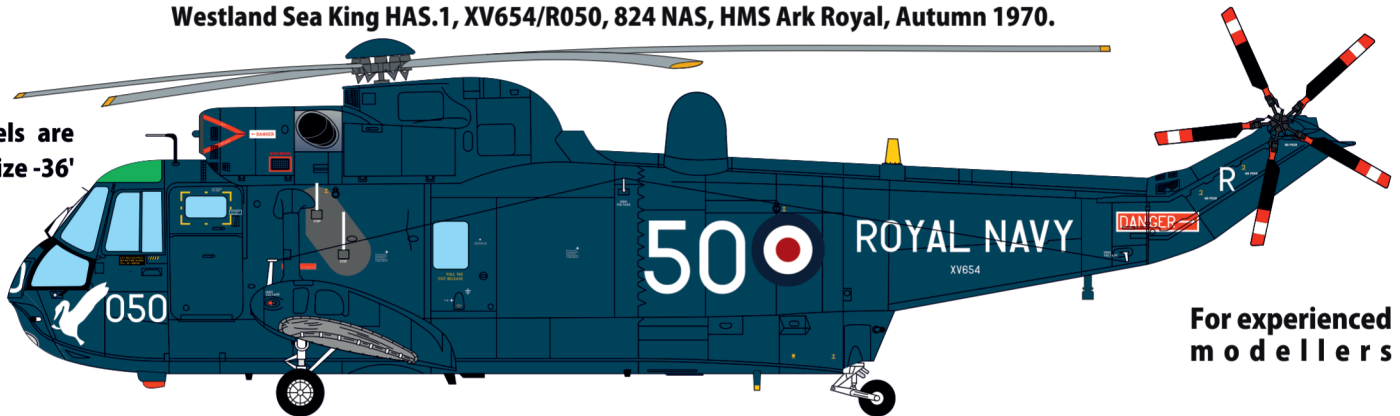
SCALE 1:72

Blackburn Buccaneer S.2C, XV343/R033, 809 NAS, HMS Ark Royal, Autumn 1970.



Westland Sea King HAS.1, XV654/R050, 824 NAS, HMS Ark Royal, Autumn 1970.

All Roundels are the same size -36'



For experienced modellers

Westland Wessex HAS.1, XS880/R057, Ark Royal Ship's Flight, HMS Ark Royal, Autumn 1970.

BS 381 Color chart

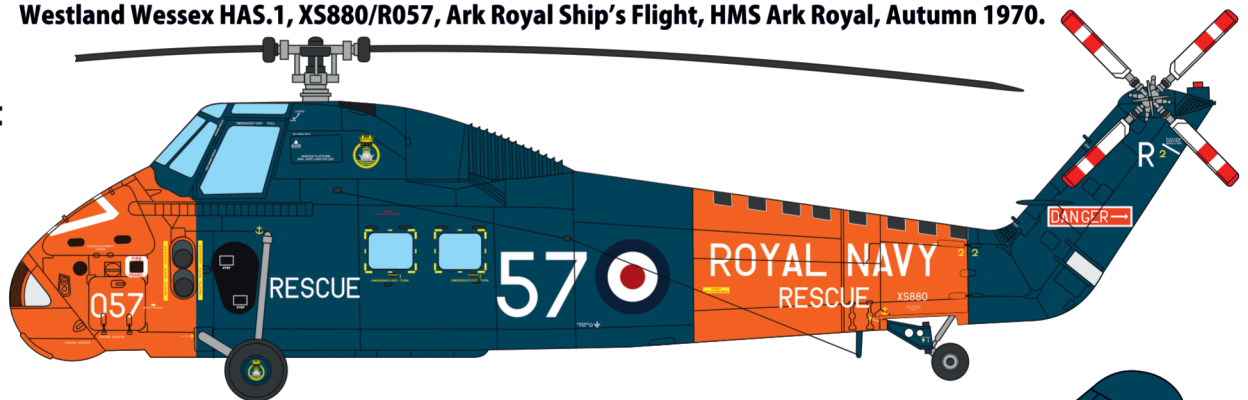
Fluorescent Day-Glo Blaze

White

640

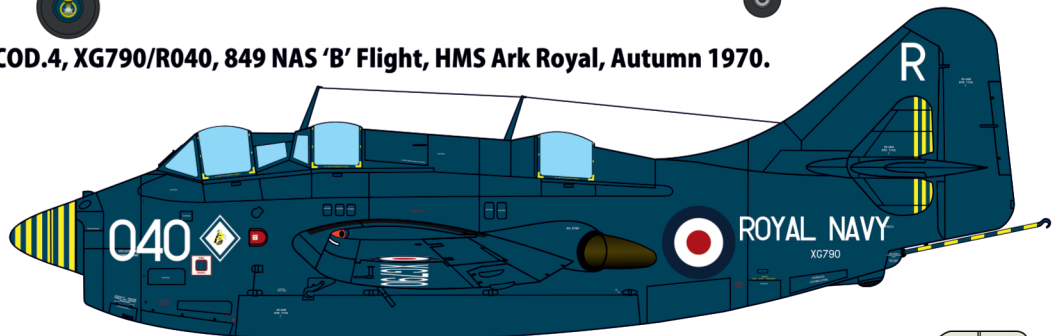
633

210



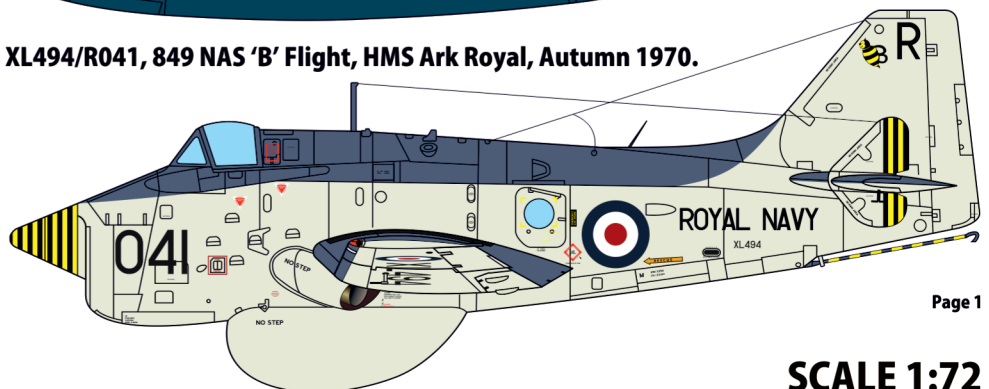
Fairey Gannet COD.4, XG790/R040, 849 NAS 'B' Flight, HMS Ark Royal, Autumn 1970.

All Roundels are the same size -36'



Fairey Gannet AEW.3, XL494/R041, 849 NAS 'B' Flight, HMS Ark Royal, Autumn 1970.

Use photograph and/or your kit's manual for reference. Also note that real aircraft finish is a subject of weathering and this complicated the matter even further.

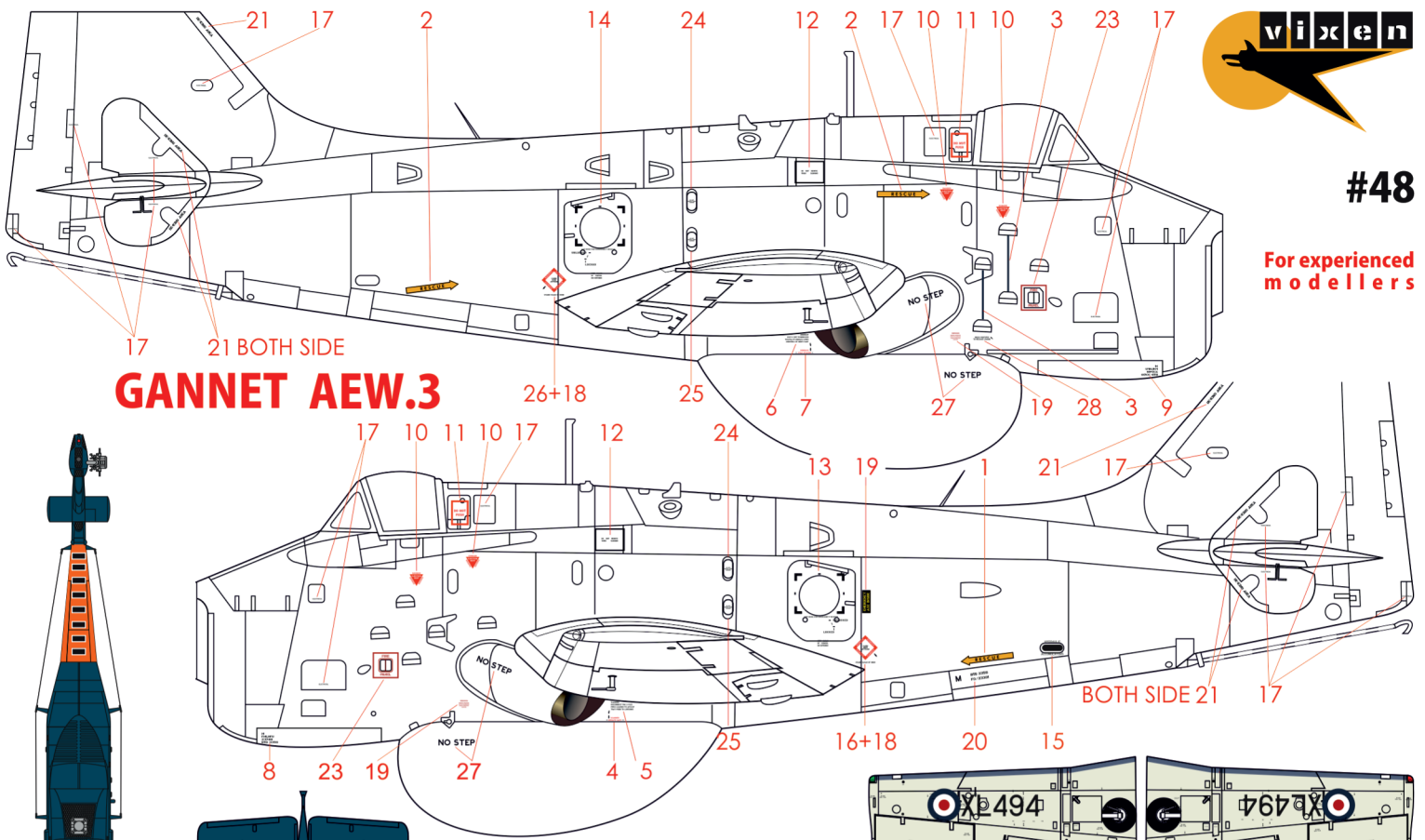


So, take a look at the photos - and paint your kit as you like.

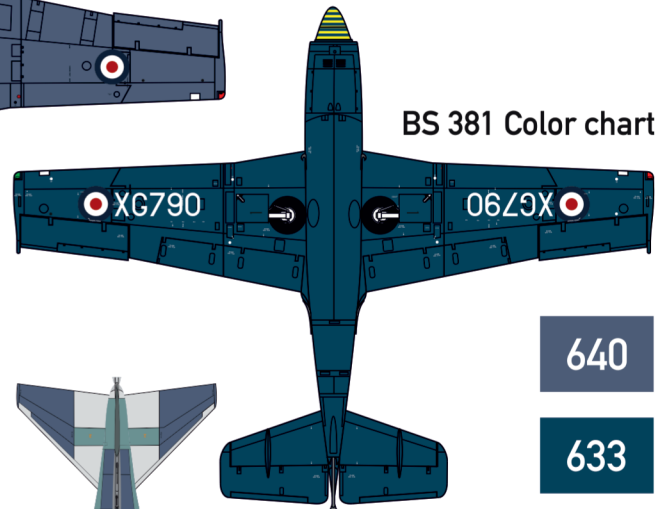
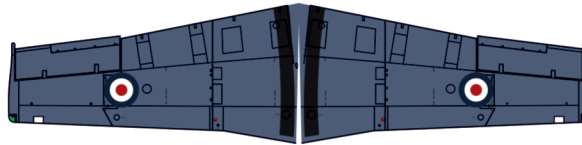
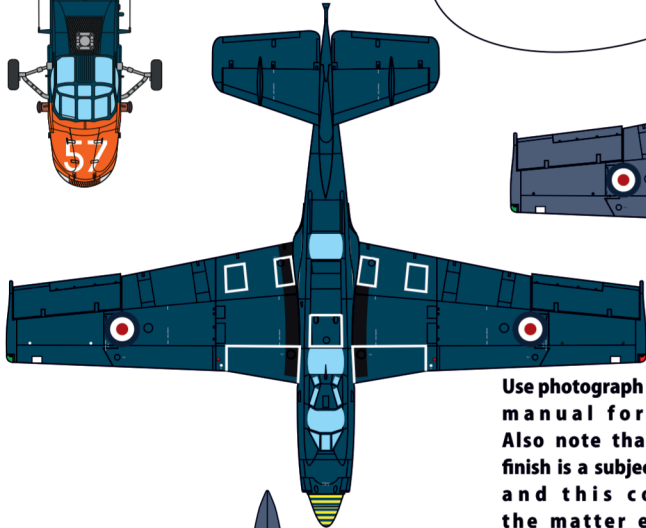
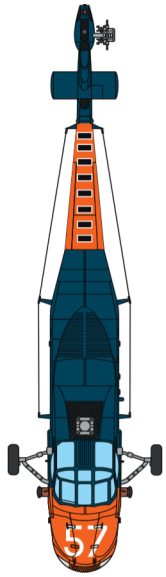
#48

SCALE 1:72

For experienced modellers

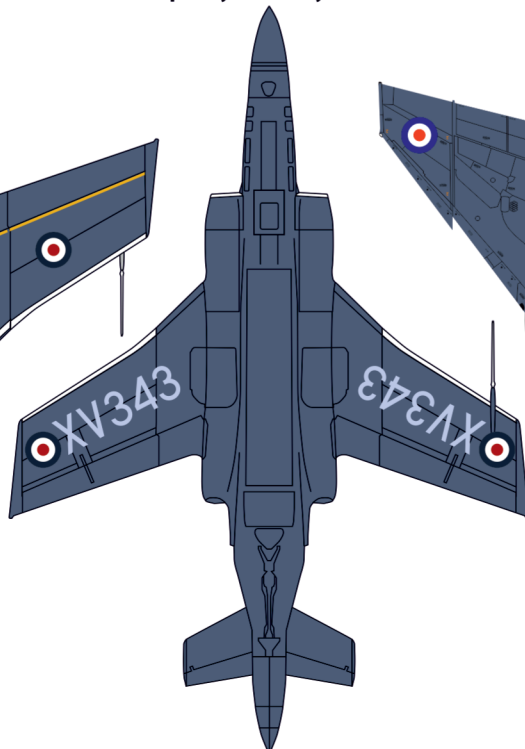
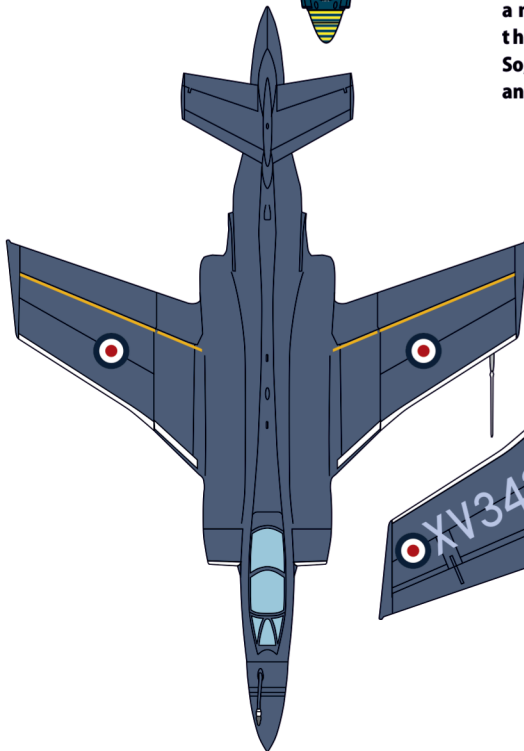


GANNET AEW.3



BS 381 Color chart

Use photograph and/or your kit's manual for reference. Also note that real aircraft finish is a subject of weathering and this complicated the matter even further. So, take a look at the photos - and paint your kit as you like.



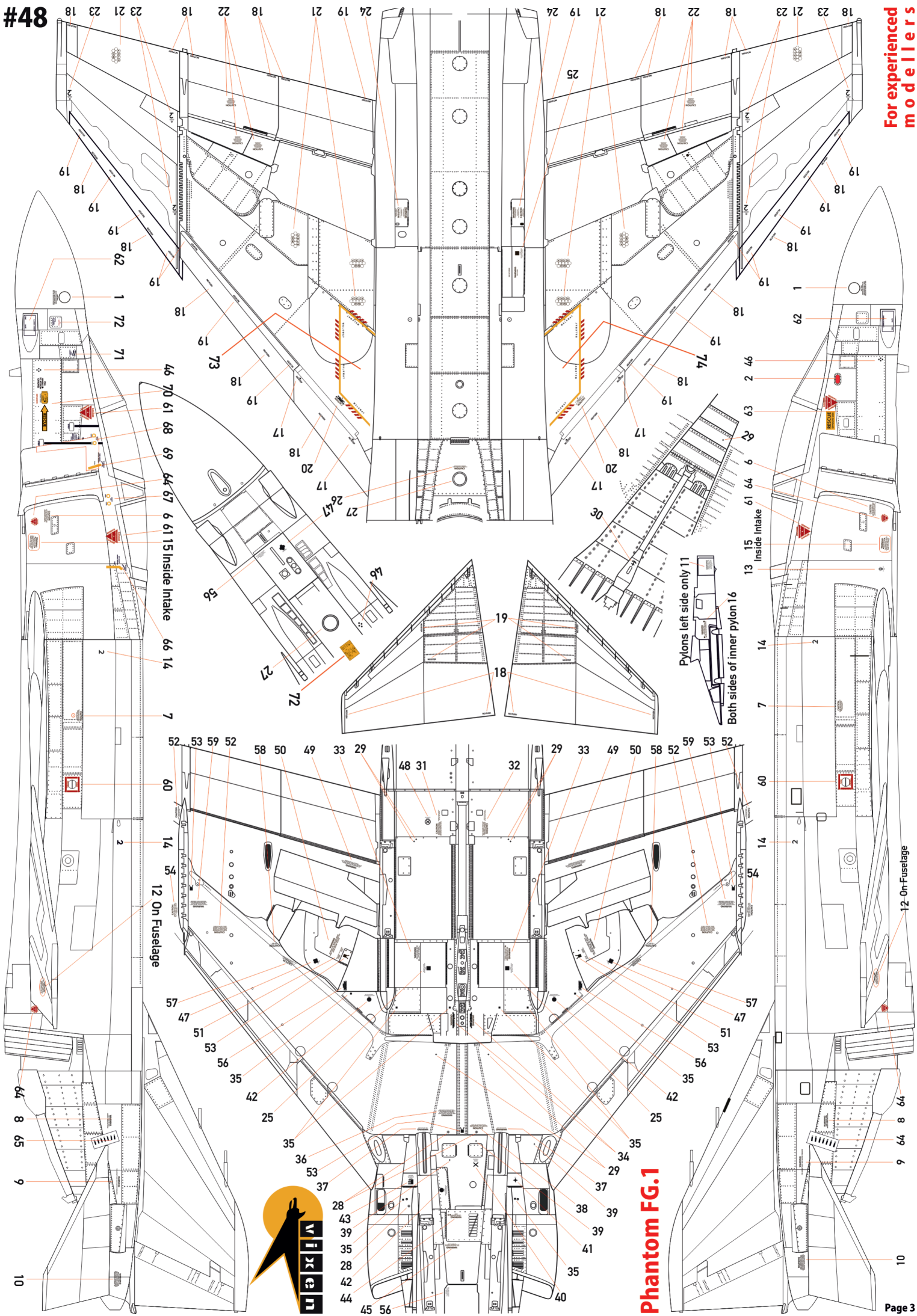
640

633

210

Fluorescent Day-Glo Blaze

White

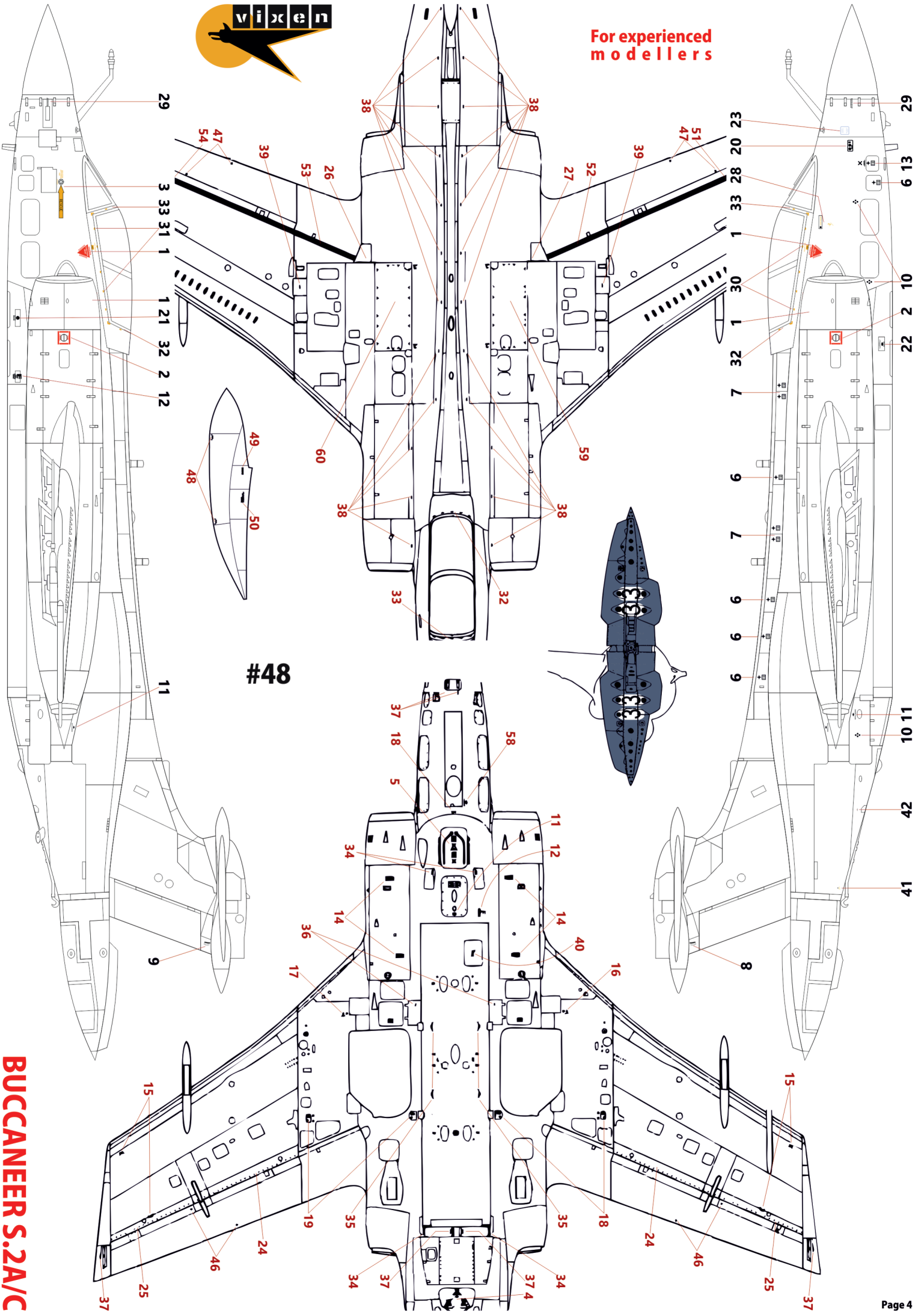


Phantom FG.1



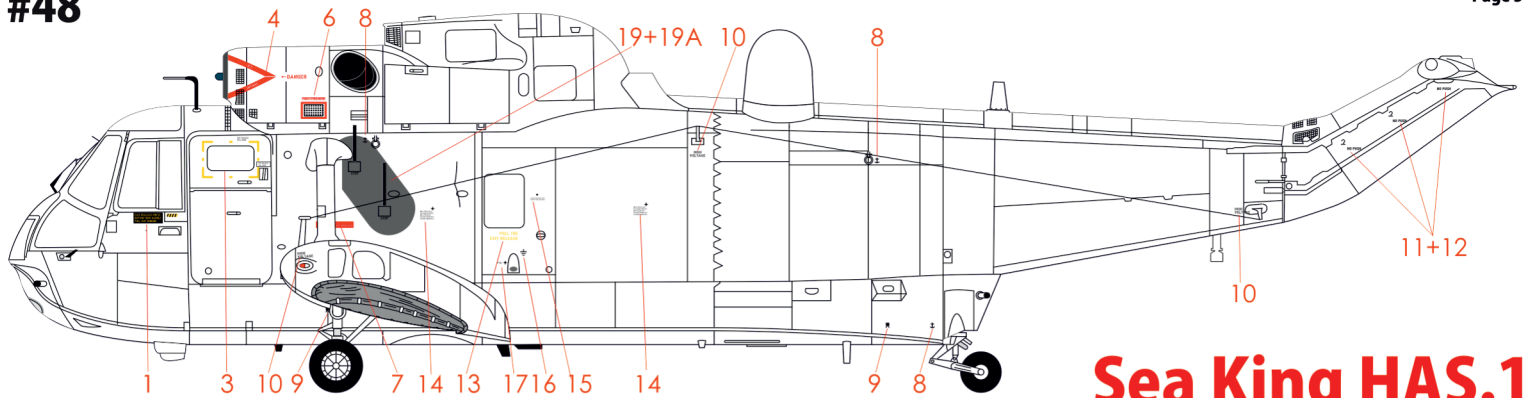


For experienced
modellers

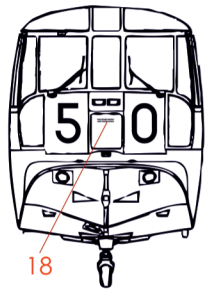
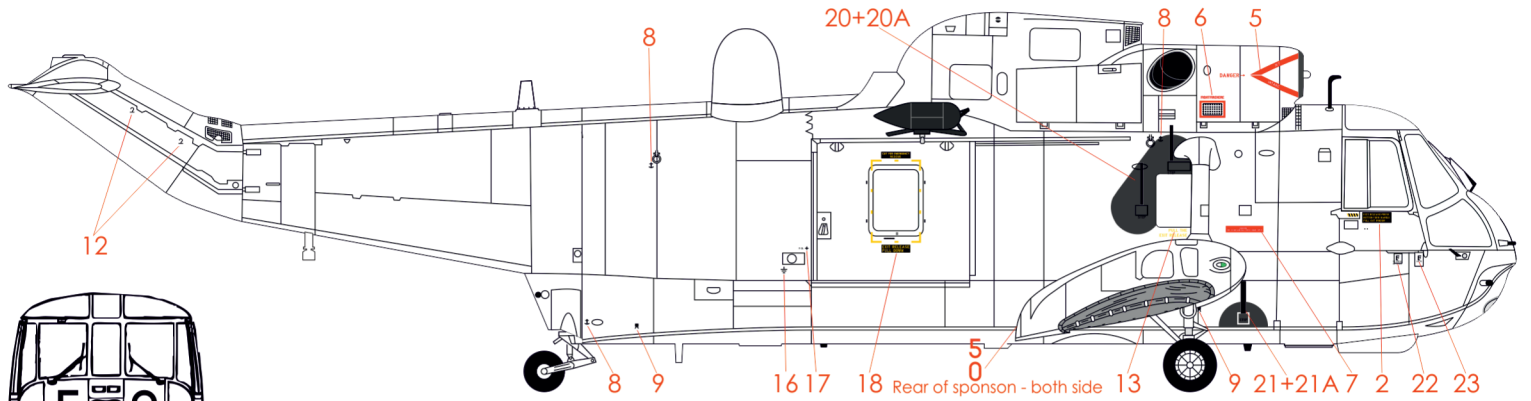


#48

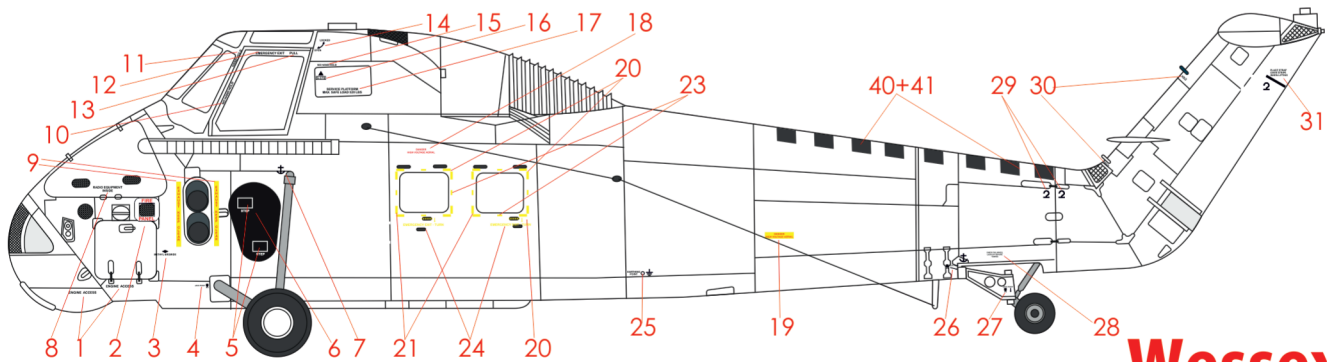
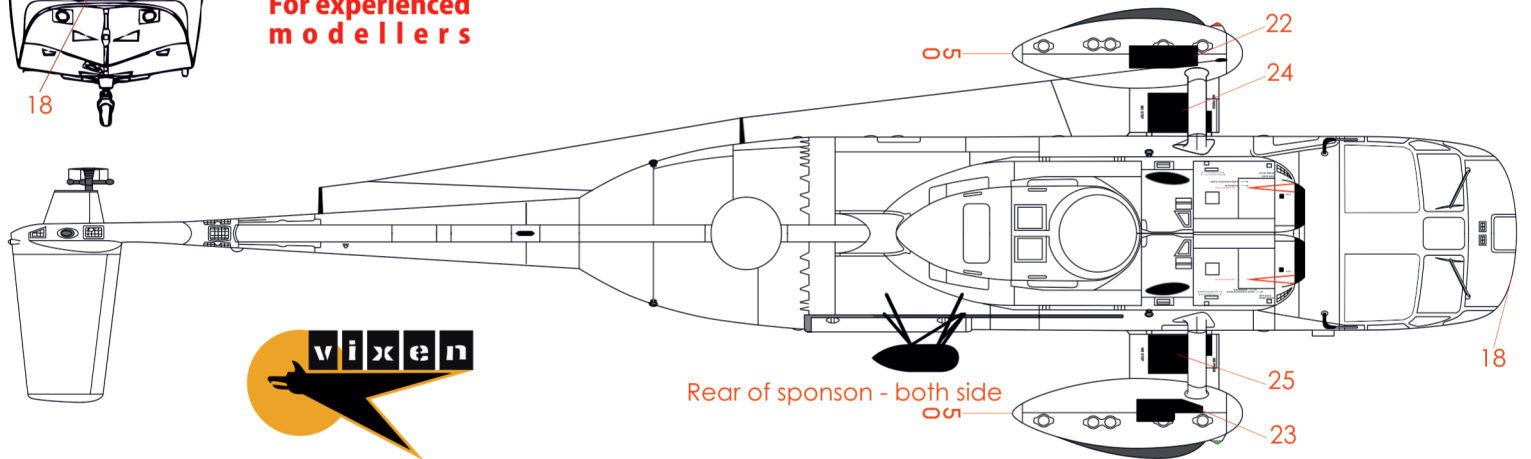
BUCCANEER S.2A/C



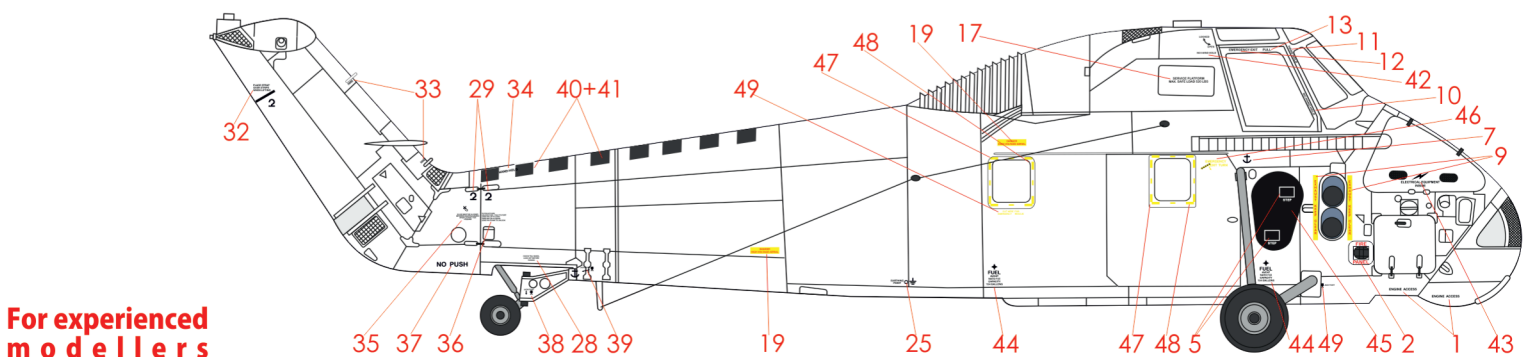
Sea King HAS.1



For experienced modellers



Wessex HAS.1



For experienced modellers

